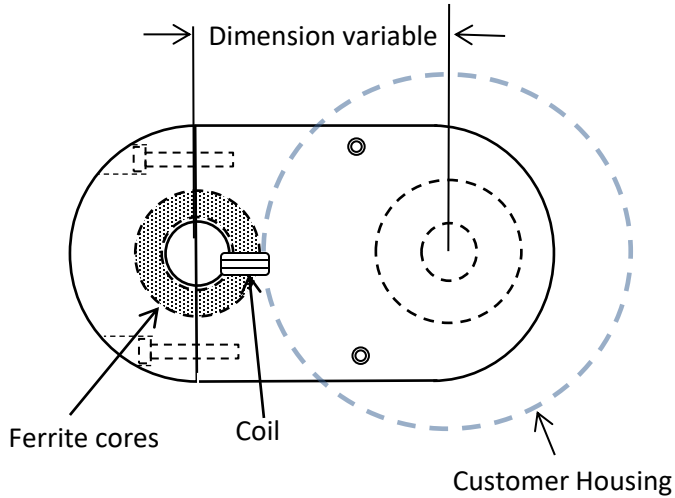
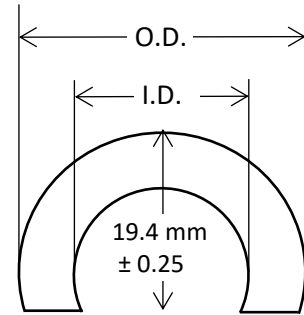


Bolt-on Inductive Coupler – Conceptual

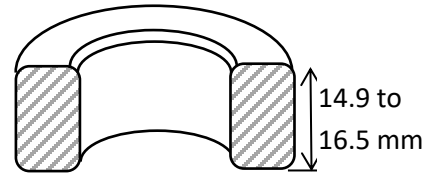
Top View



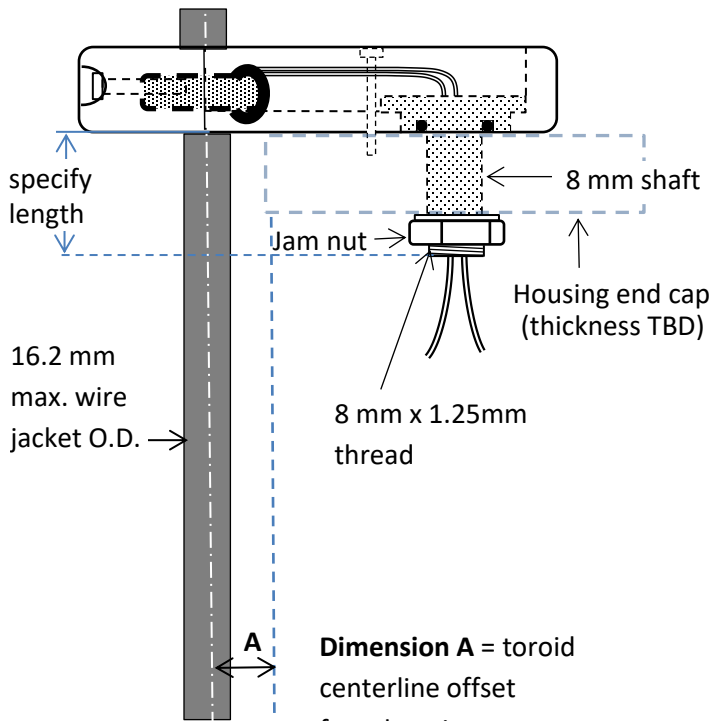
Ferrite Core Detail



O.D. 28.3 mm to 30.2 mm
I.D. 17.8 mm to 19.7 mm



Side View



Dimension A = toroid centerline offset from housing – Please SPECIFY

Example of actual design - Part No. 50153

